

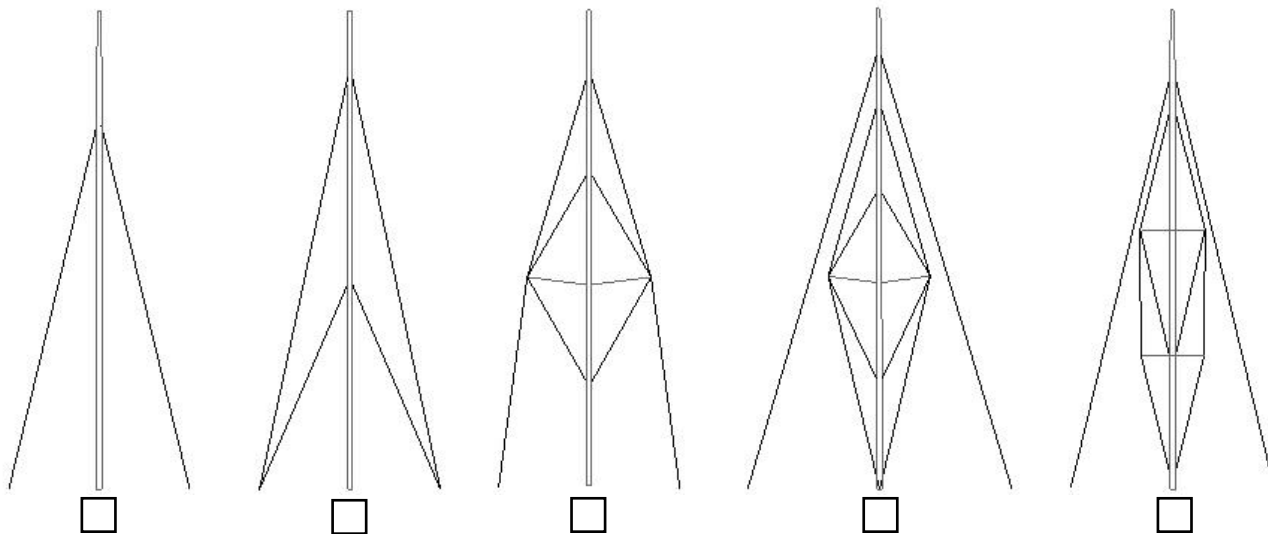
NAME:  EMAIL:   
 PHONE:  ADDRESS LINE 1:   
 DATE:  ADDRESS LINE 2:

**CRAFT DATA**

Catamaran      Windward hull to be flown above water:     Yes     No  
 Trimaran      Trimaran outer pontoon volume: ..... litres

Overall length: ..... mm      Max beam: ..... mm      C-C Hulls: ..... mm  
 Displacement: ..... kg      Displacement valid for:     Yacht empty     Yacht equipped

**RIG SETUP**



Lower shroud                                       No lower shroud

Other: .....

Rotating       Non-rotating       Standard mainsail       Square top

Other rigging particulars: .....

Forestay height [mm]:

FH

Cutter stay height [mm]:

CSH

Main sail luff length [mm]:

P

Boom height (top of boom) [mm]:

BH

Main sail foot length [mm]:

E

Main sheet distance from aft face of mast [mm]:

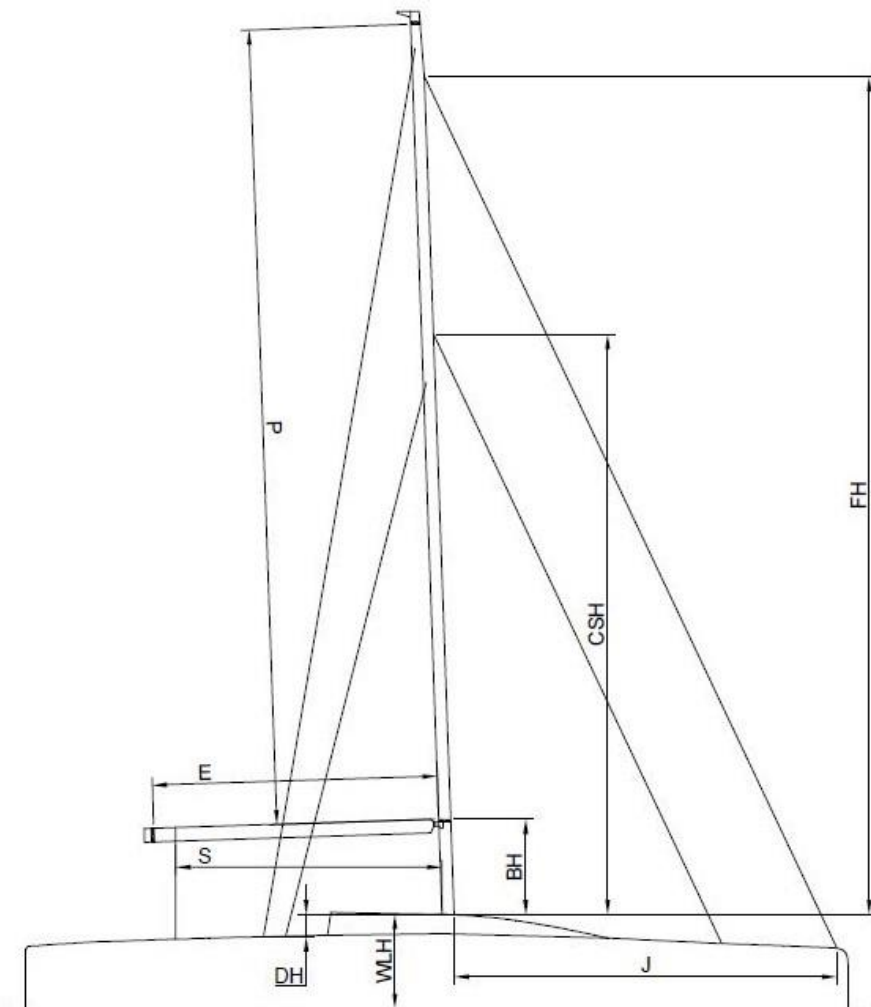
S

Coach roof height above cap-chainplate [mm]:

DH

Coach roof height above waterline [mm]:

WLH



# CHAINPLATES

Mast rake: ..... °

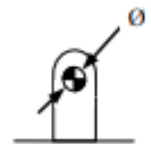
Chainplate **below** coach roof: „+”

Chainplate **above** coach roof: „-”

	Lateral	Longitudinal	Vertical	Ø
CAP* [mm]				
LWR [mm]				
FS [mm]				
CS [mm]				

\*Cap shroud bridle chainplates

Forw. [mm]			
Aft [mm]			



Other chainplates particulars: .....

.....

